

7CM Series 7.0 x 5.0 mm SMD Crystal Oscillator

7 : 7.0×5.0×1.3 mm | SMD7050-4P

C : SPXO Crystal Oscillator

M : Multi Voltage

Feature

- Cost-effective design
- CMOS compatible logic levels
- Tri-state function available
- Supply voltage range : 1.62V ~ 3.63V(Compatible with 1.8V, 2.5V, 3.3V)
- RoHS Compliant / Pb Free

Applications

- Wireless Devices
- Internet of Things (IoT) devices
- Ethernet/Gigabit Ethernet
- Audio, Video, Gaming products
- Micro base station



Electrical Specifications

Item	Symb.	Min.	Typ.	Max.	Unit	Notes
Frequency Range	Freq.	1.000		54.000	MHz	
Operating Temperature	T_use	-20		70	°C	
		-40		85	°C	
Storage Temperature Range	T_stg	-55		125	°C	
Supply Voltage	Vdd	1.62		3.63	V	
Output Load	L_CMOS		15		pF	
Current Consumption	Icc			10	mA	1MHz ≤ Freq. < 40MHz
				20		40MHz ≤ Freq. ≤ 54MHz
Duty Cycle	SYM	45		55	%	50 % Vdd level, L_CMOS ≤ 15 pF
Rise / Fall Time	T _R / T _F			5	nS	10% Vdd to 90% Level
Start-up Time	T_str			5	mS	To 90% of Final Amplitude
High output voltage	V _{OH}	0.9Vdd			V	
Low output voltage	V _{OL}			0.1Vdd	V	
Enable Voltage High (Logic 1)	V _{IH}	0.7Vdd			V	Output will be disable if OE is Logic 0 Output will be enable if OE is Logic 1 or open
Enable Voltage Low (Logic 0)	V _{IL}			0.3Vdd	V	
Aging	f_age			3	ppm	1st. Year at 25°C

Frequency Stability & Operating Temperature Range

Temp.	FT	±20ppm	±25ppm	±30ppm	±50ppm
	-20°C to +70°C		△	★	★
-40°C to +85°C			△	★	★

★: Available △: Conditional

All condition: Include 25°C tolerance, operating temperature range, input voltage change, aging, load change.

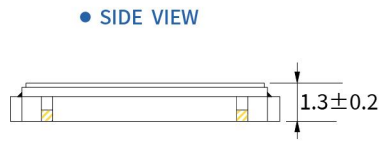
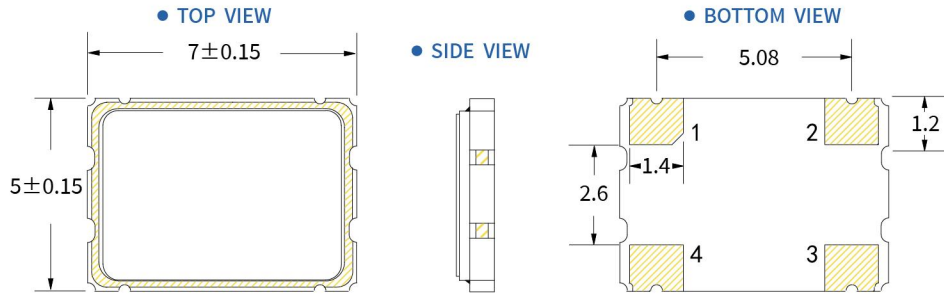
7CM Series 7.0 x 5.0 mm SMD Crystal Oscillator

7 : 7.0×5.0×1.3 mm | SMD7050-4P

C : SPXO Crystal Oscillator

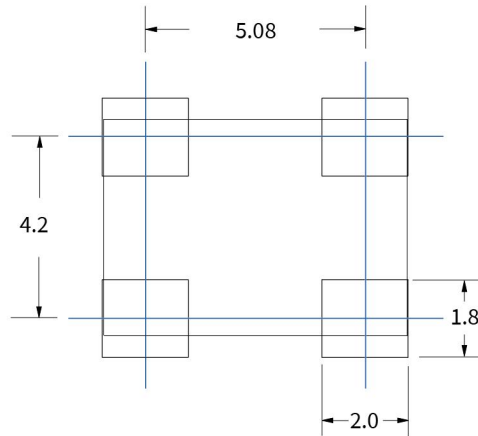
M : Multi Voltage

Dimensions (UNIT:mm)



Pin	Function
1	Tri-State
2	GND
3	Output
4	Vdd

Solder pad layout (UNIT:mm)



Options and Part Identification : Example SX7M1.000M20F30TNN

Company	Ceramic Package	Frequency Code [MHz]	Supply Voltage	Frequency Tolerance	Operating Temperature	Frequency Drift	Output	Current Consumption	Phase Noise
SX	7M	X.XXX	M	20	F	30	T	N	N
Code Company		Frequency		Code Frequency Tolerance		Code Frequency Drift		Code Current	
SX SCTF		1.000 13.560 19.200 37.125		10 ±10ppm 20 ±20ppm		15 ±15ppm 20 ±20ppm 30 ±30ppm		N Standard	
	Code Ceramic Package		Code Voltage		Code Operating Temperature		Code Output		Code Phase Noise
	7M 7.0×5.0×1.3mm 5M 5.0×3.2×1.2mm 3M 3.2×2.5×0.95mm 2M 2.5×2.0×0.81mm 1M 2.0×1.6×0.75mm		M 1.62V~3.63V		E -20°C ~ +70°C F -40°C ~ +85°C		T CMOS		N Standard

If you have other parameter requirements, you can contact **SCTF** at any time.

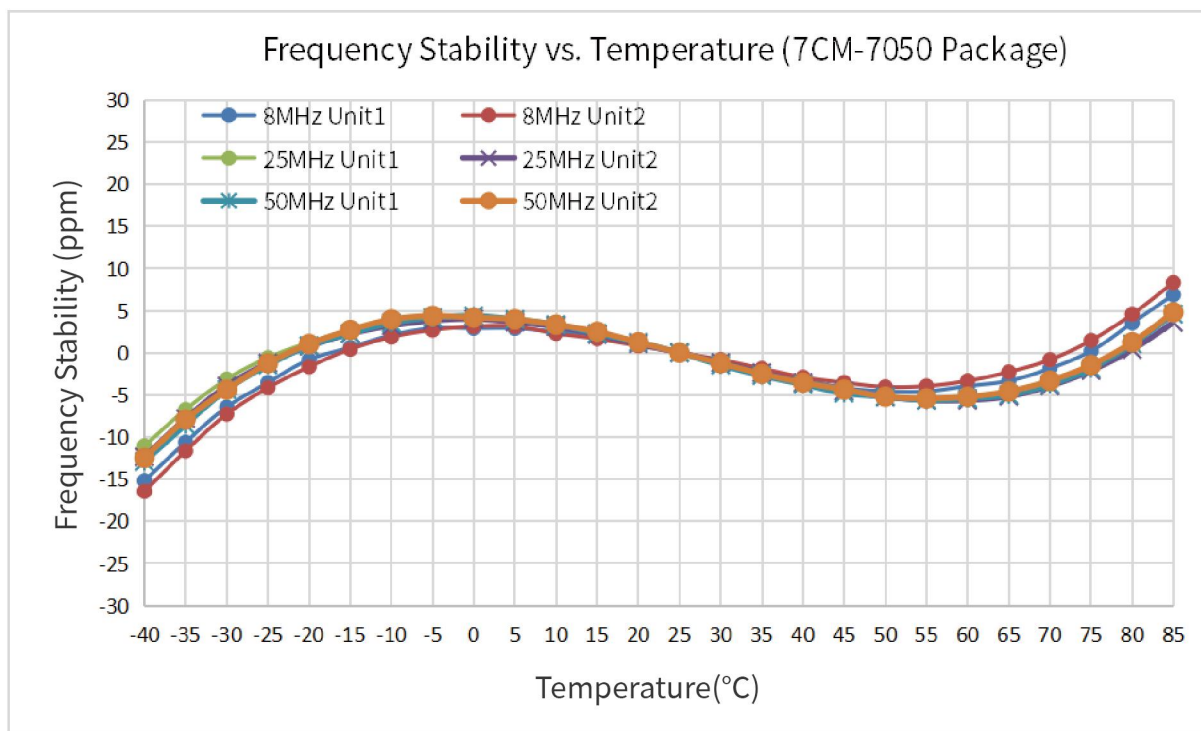
7CM Series 7.0 x 5.0 mm SMD Crystal Oscillator

7 : 7.0×5.0×1.3 mm | SMD7050-4P

C : SPXO Crystal Oscillator

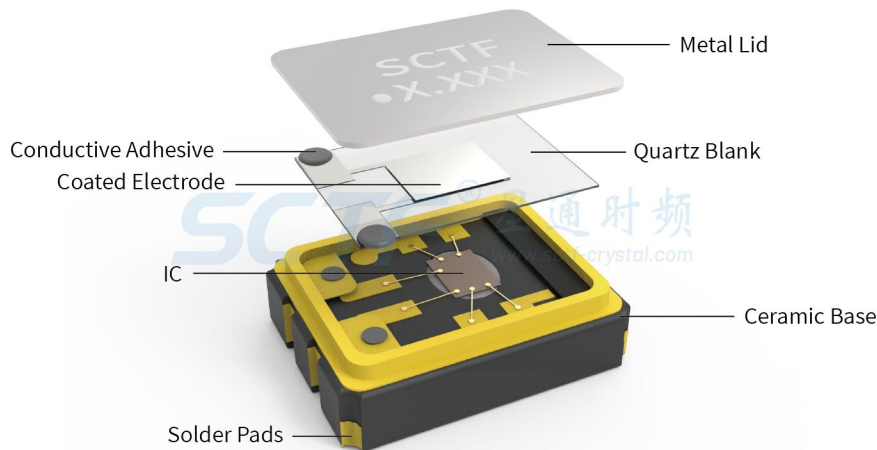
M : Multi Voltage

Frequency Temperature Characteristics

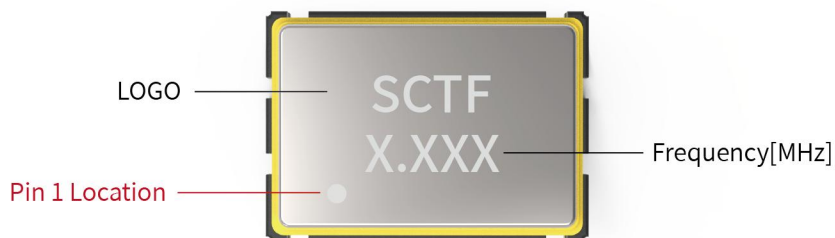


Product Structure & Marking Information

Product Structure



Marking Information



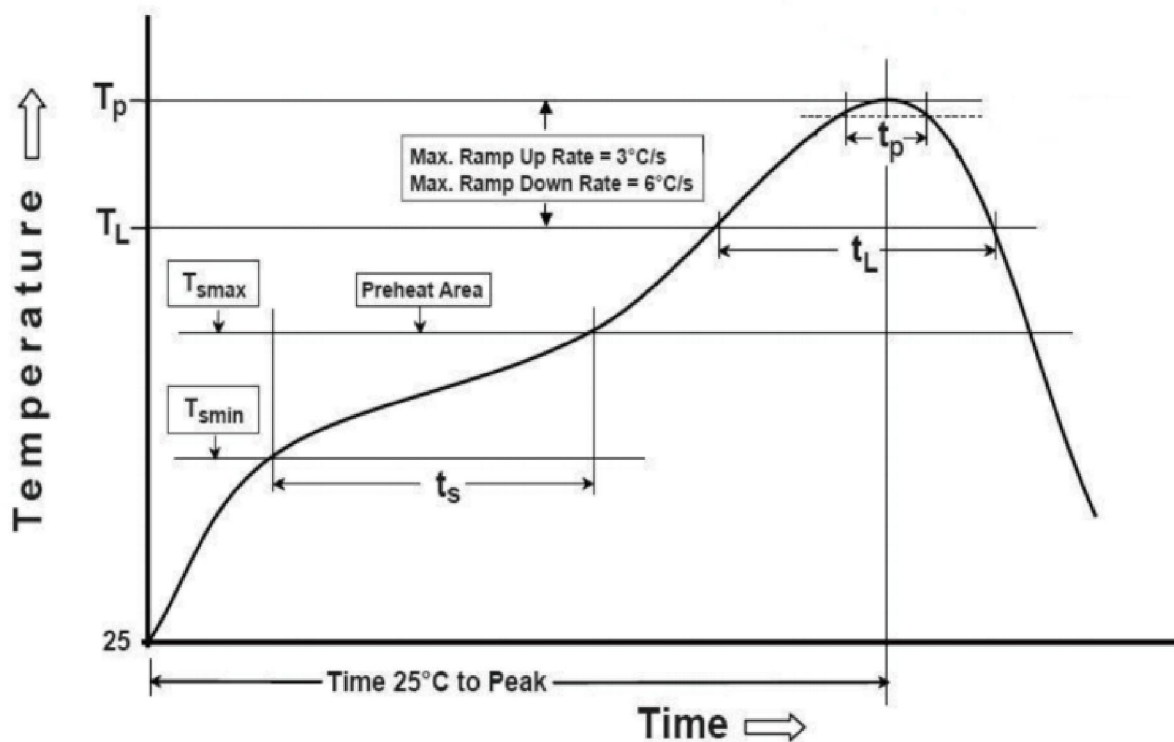
7CM Series 7.0 x 5.0 mm SMD Crystal Oscillator

7 : 7.0x5.0x1.3 mm | SMD7050-4P

C : SPXO Crystal Oscillator

M : Multi Voltage

Suggested Reflow Profile



Profile Feature	Sn - Pb Eutectic Assembly	Preheat / Soak
Preheat / Soak <ul style="list-style-type: none"> ● Temperature Min (Ts min) ● Temperature Max (Ts max) ● Time (Ts min to Ts max) 	100°C 150°C 60-120 seconds	150°C 200°C 60-120 seconds
Ramp - up rate (TL to Tp)	3°C/ second max.	3°C/ second max.
Time maintained above <ul style="list-style-type: none"> ● Liquidous temperature (TL) ● Time (tL) maintained above TL 	183°C 60-150 seconds	217°C 60-150 seconds
Peak package body temperature (Tp)	235°C	260°C
Time within 5° C of the specified classification temperature (Tp)	20 seconds	30 seconds
Ramp - down rate (Tp to TL)	6°C/ second max.	6°C/ second max.
Time 25° C to peak temperature	6 minutes max.	8 minutes max.
Suggest reflow times	2 Times max.	

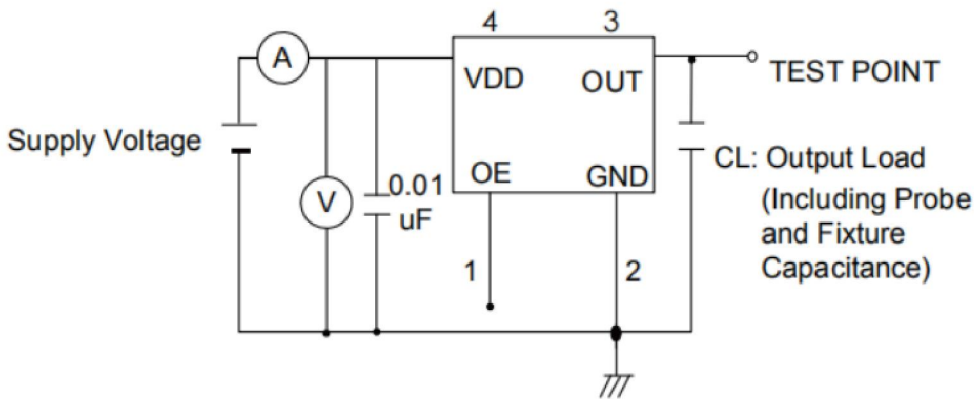
7CM Series 7.0 x 5.0 mm SMD Crystal Oscillator

7 : 7.0×5.0×1.3 mm | SMD7050-4P

C : SPXO Crystal Oscillator

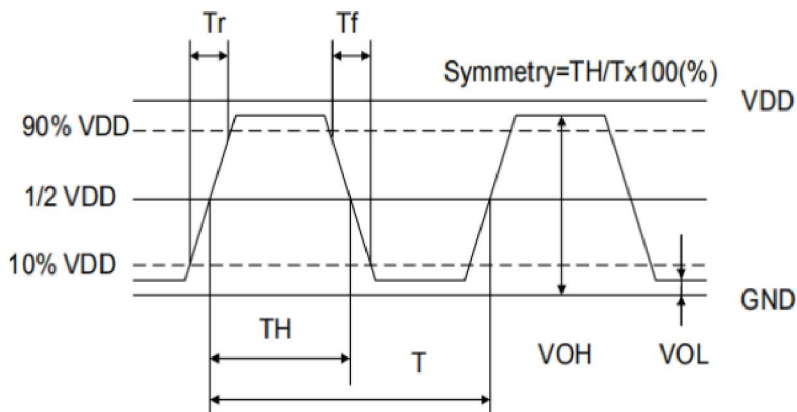
M : Multi Voltage

Testing Circuit



※ Notes: PIN 1 connected to Vdd or floating, the product is working properly; connected to GND, stops working.

Waveform Conditions



Waveform measurement system should have a min. bandwidth of 5 times the frequency being tested.

7CM Series 7.0 x 5.0 mm SMD Crystal Oscillator

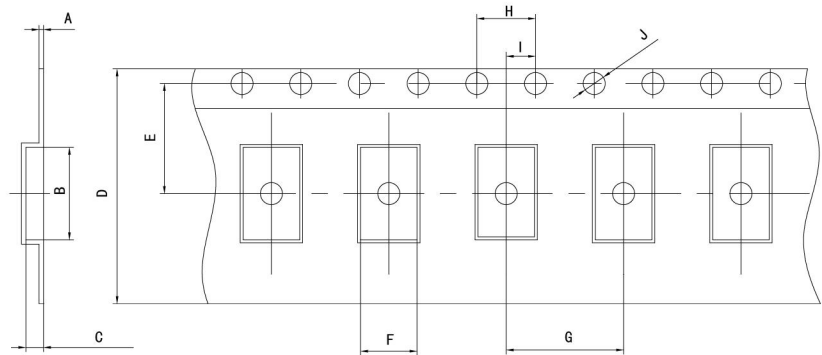
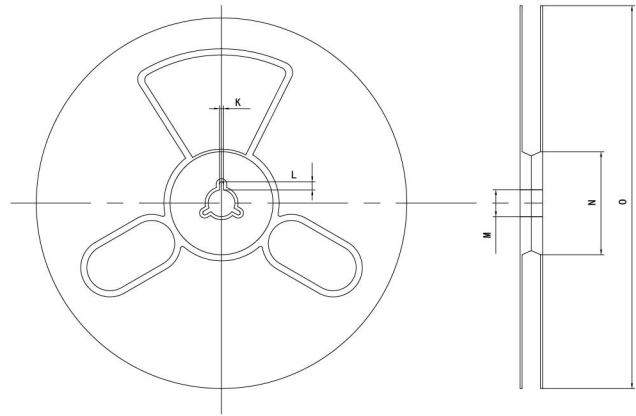
7 : 7.0×5.0×1.3 mm | SMD7050-4P

C : SPXO Crystal Oscillator

M : Multi Voltage

Packaging Information

T=Tape and reel (1,000pcs/reel)



Pocket Tape Dimensions(mm)

Series	A	B	C	D	E	F	G	H	I	J	K	L	M	N	O
7CM	0.3±0.05	7.6±0.1	2.0±0.1	16±0.3	7.5±0.1	5.4±0.1	8.0±0.1	4.0±0.1	2.0±0.1	φ1.5±0.1	2.0±0.2	4.0±1.0	φ13±0.5	φ60±1	φ180±1

7CM Series 7.0 x 5.0 mm SMD Crystal Oscillator

7 : 7.0×5.0×1.3 mm | SMD7050-4P

C : SPXO Crystal Oscillator

M : Multi Voltage

Common Frequencies – MHz

7CM Series				
1.000	1.008	1.024	1.544	1.8432
2.000	2.048	2.176	2.4576	2.500
3.2768	3.579545	3.6864	4.000	4.096
4.9152	5.000	6.000	6.144	6.780
7.200	7.3728	7.500	7.680	8.000
8.192	9.216	9.8304	10.000	11.0592
11.2896	12.000	12.288	12.800	13.000
13.560	14.2848	14.31818	14.7456	15.000
15.360	16.000	16.128	16.384	18.432
19.200	19.6608	20.000	20.480	22.1184
22.5792	24.000	24.576	25.000	25.000625
25.175	26.000	27.000	27.120	28.224
28.63636	29.4912	30.000	30.720	32.000
32.768	33.000	33.330	33.333	33.3333
33.333333	36.000	38.400	40.000	40.960
45.000	45.1584	48.000	49.152	50.000
52.000	54.000			